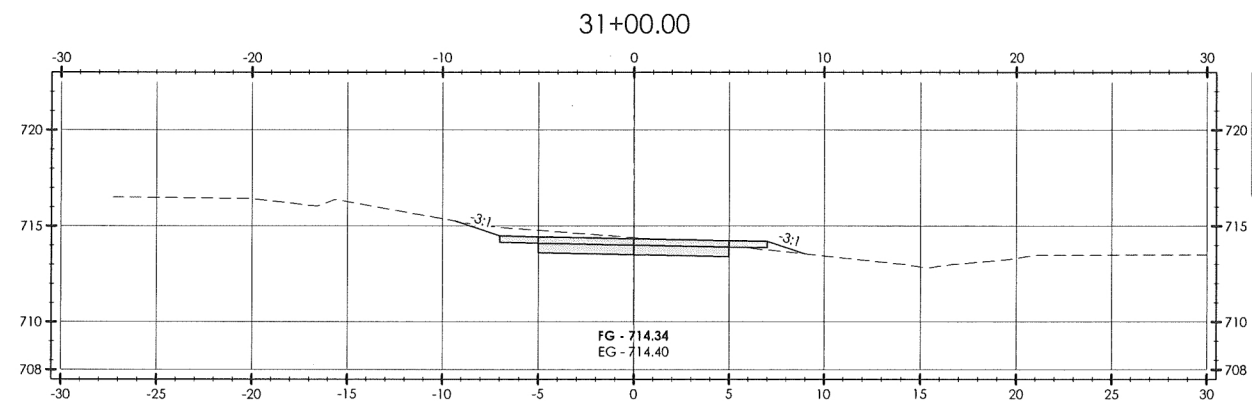
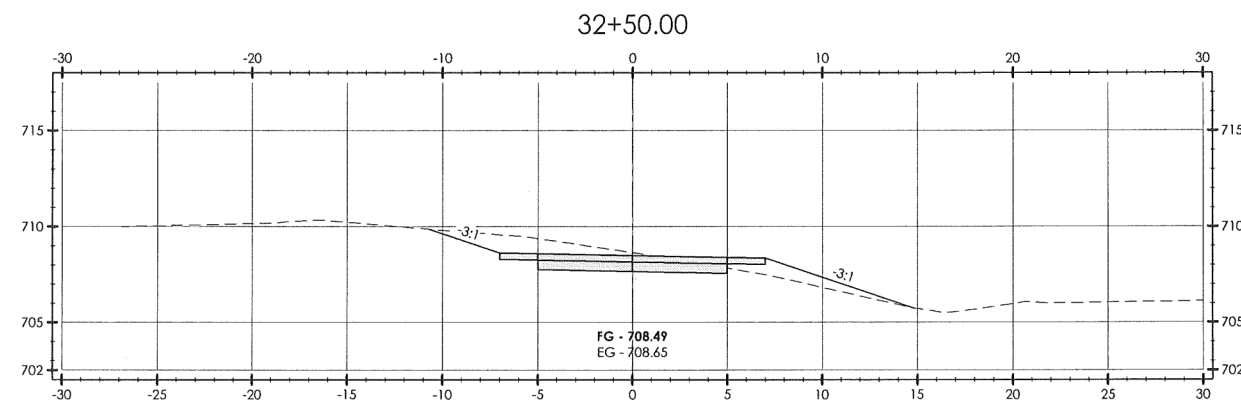


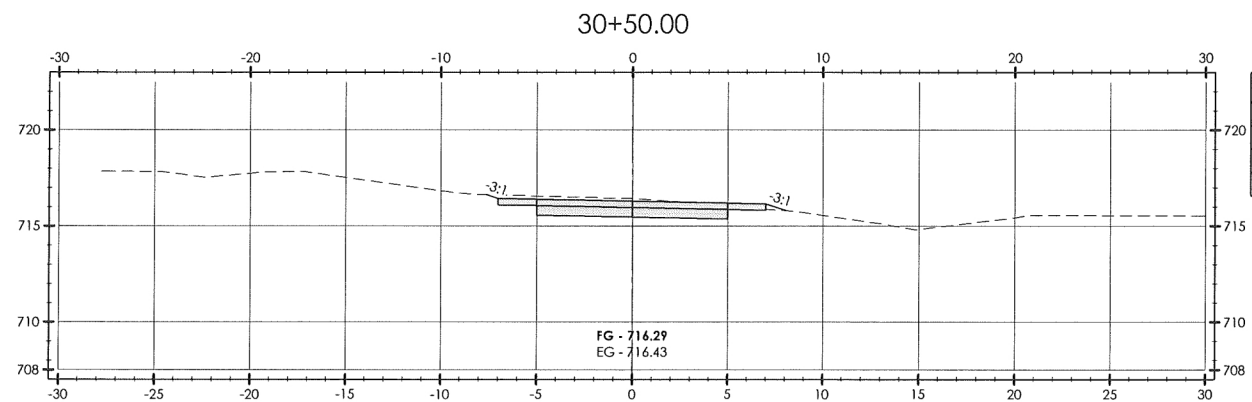
OKLAHOMA DEPARTMENT OF TRANSPORTATION					
FED. ROAD DIST. NO.	STATE	PROJ. NO.	FISCAL YEAR	SHEET NO.	TOTAL SHEETS
6	OKLA	2884(04)			
DESCRIPTION			REVISIONS	DATE	



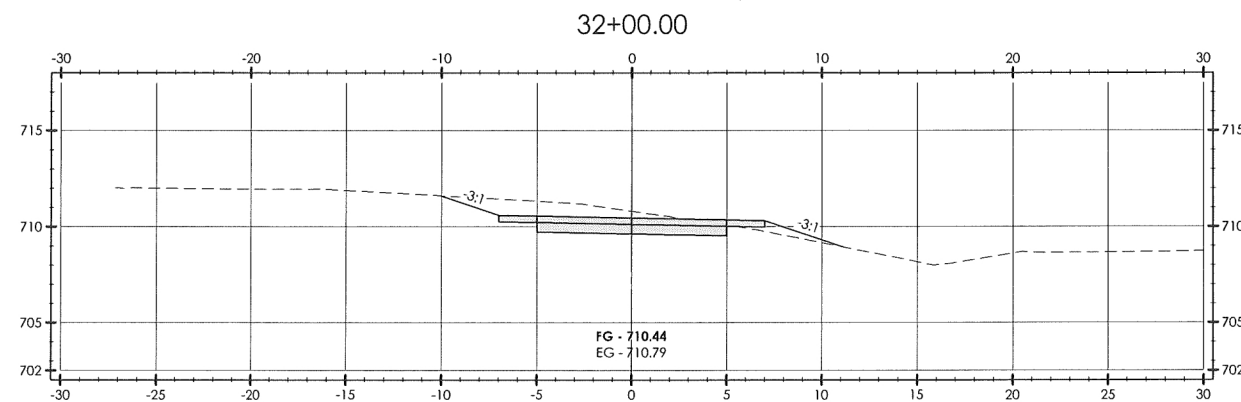
Trail Station 31+00.00	
Cut Area	11.21 SF
Cut Vol	20.37 CY
Fill Area	0.64 SF
Fill Vol	0.80 CY



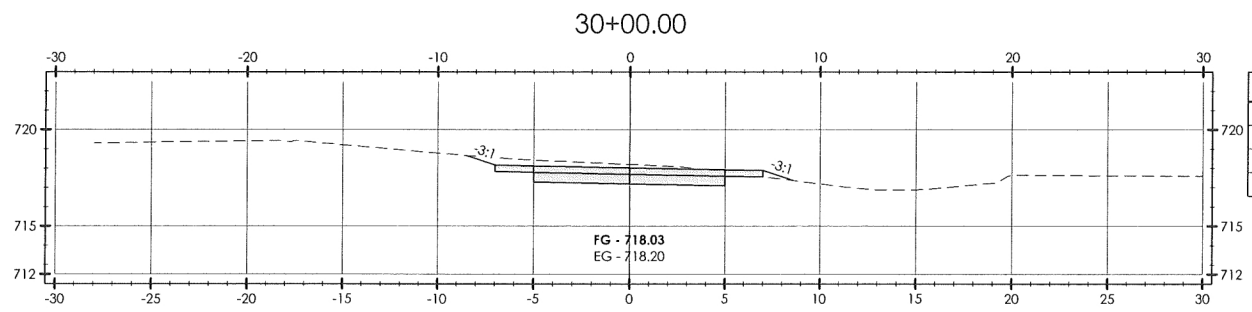
Trail Station 32+50.00	
Cut Area	14.19 SF
Cut Vol	27.64 CY
Fill Area	4.03 SF
Fill Vol	5.06 CY



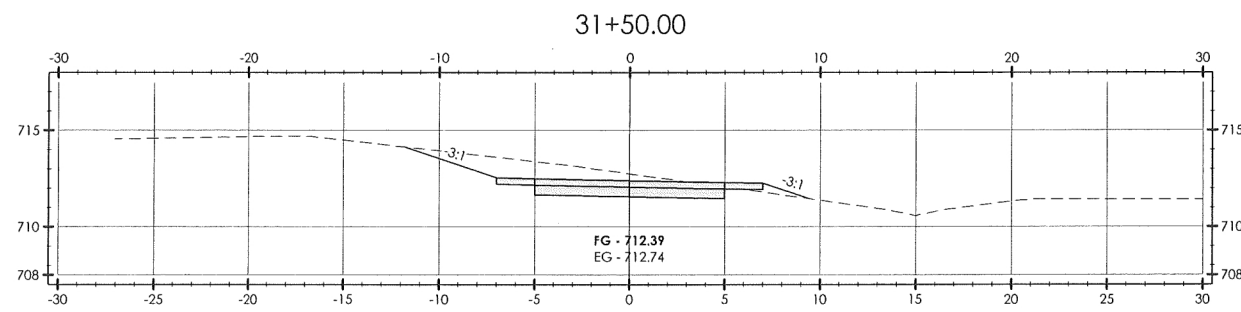
Trail Station 30+50.00	
Cut Area	10.79 SF
Cut Vol	21.23 CY
Fill Area	0.23 SF
Fill Vol	0.54 CY



Trail Station 32+00.00	
Cut Area	15.66 SF
Cut Vol	30.71 CY
Fill Area	1.43 SF
Fill Vol	2.02 CY



Trail Station 30+00.00	
Cut Area	12.14 SF
Cut Vol	17.19 CY
Fill Area	0.36 SF
Fill Vol	1.74 CY



Trail Station 31+50.00	
Cut Area	17.50 SF
Cut Vol	26.58 CY
Fill Area	0.75 SF
Fill Vol	1.29 CY

F:\652 Sand Springs Park Road Trail\Final\Civil 3D - Base Files\ParkRoadTrail-BASE1-Final-RT.dwg, 6/12/2017 3:57:07 PM



Design	JM	7/16
Drawn	JM/BB	8/16
Checked	KF/JM	6/17
Approved		
Squad	LandPlan	

City of Sand Springs - Park Road Trail
 PREPARED BY: LANDPLAN CONSULTANTS
 1100 West 23rd Street, Tulsa, Ok 74107
 Tulsa County
CROSS SECTIONS SHEET (11)
 STATE JOB NO. 2884(04) Sheet No. 54 of 62